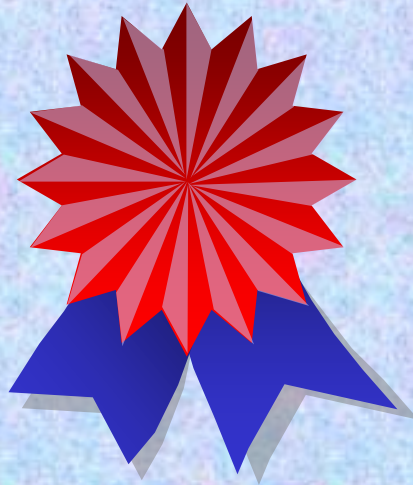


Texas State University- San Marcos  
Department of Technology

***2003 Best Product Development Contest  
Award***



# *2003 Best Team:* **Custom Entertainment Center**

**Guadalupe Delgado**

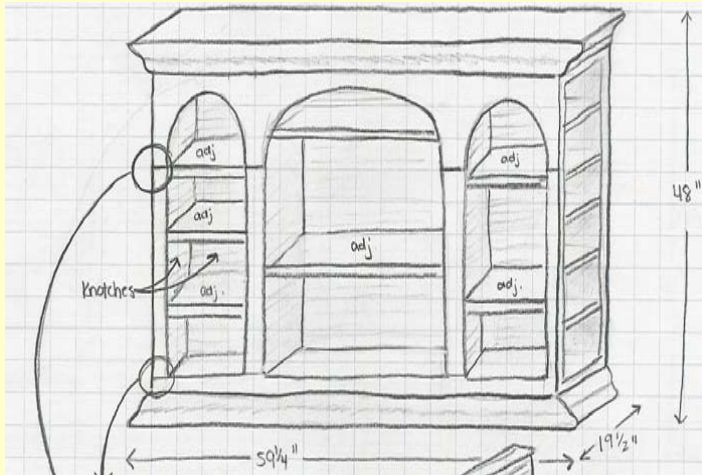
**Kelley Griffin**

**Daniel Landeros**

**Brent Wheeler**



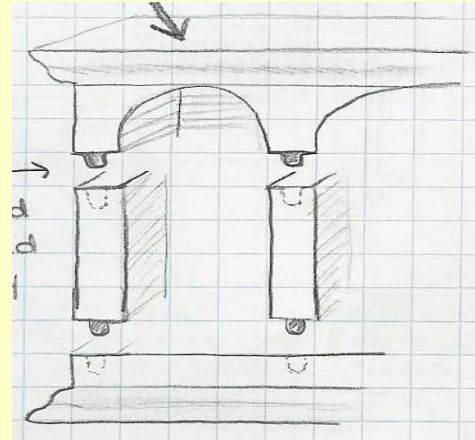
# Concept Sketches



- Top, middle and bottom held together by pegs.
- Stackable entertainment center
- Pegs are located throughout entertainment center

## Customer needs satisfies:

- provides flexibility for changing storage needs.
- survives the impact of moving
- holds various weights
- Maximizes storage space

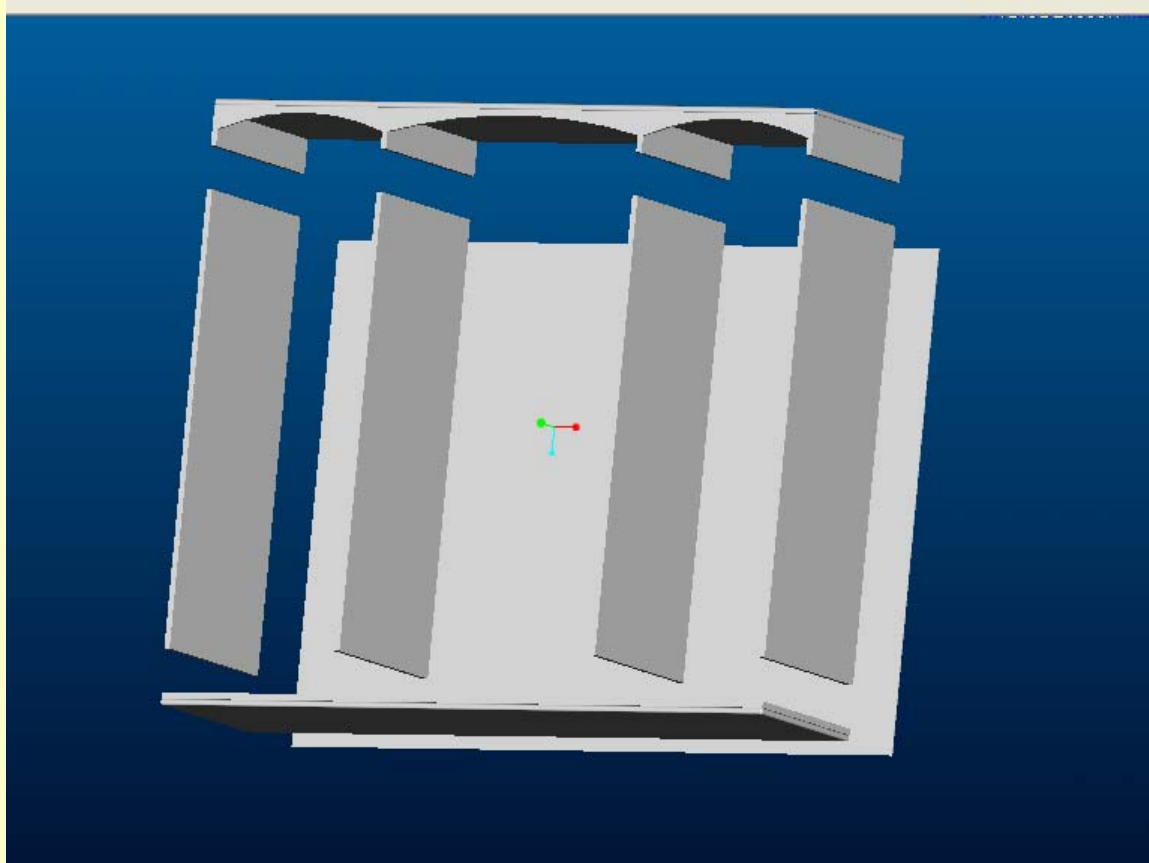


- notches run throughout side, back and front walls
- have more width than the shelf
- 3 sections left, middle, right
- shelving for each section
- shelves placed anywhere for any design or storage needs
- easy to disassemble

## Does not satisfy:

- 1.) Incorporates fixtures and handles

# Assembly drawing and assembled CAD



# CEC creation



# CEC creation



# LAZY SURFER

**Brock Foster**

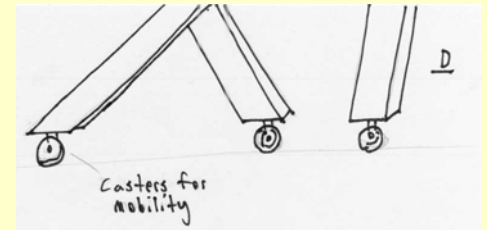
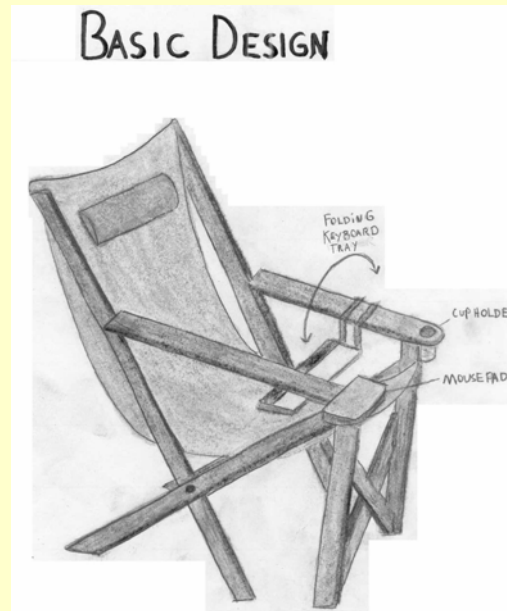
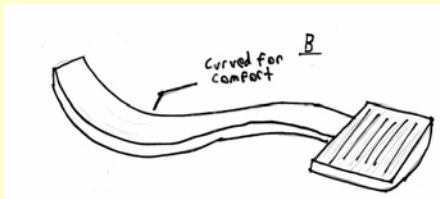
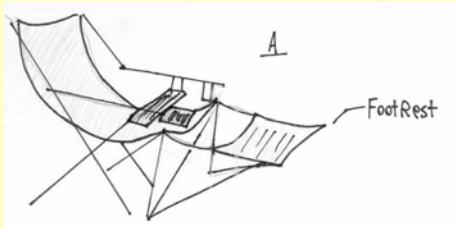
**Danny White**

**Corey Brooks**

**Anthony Gonzalez**

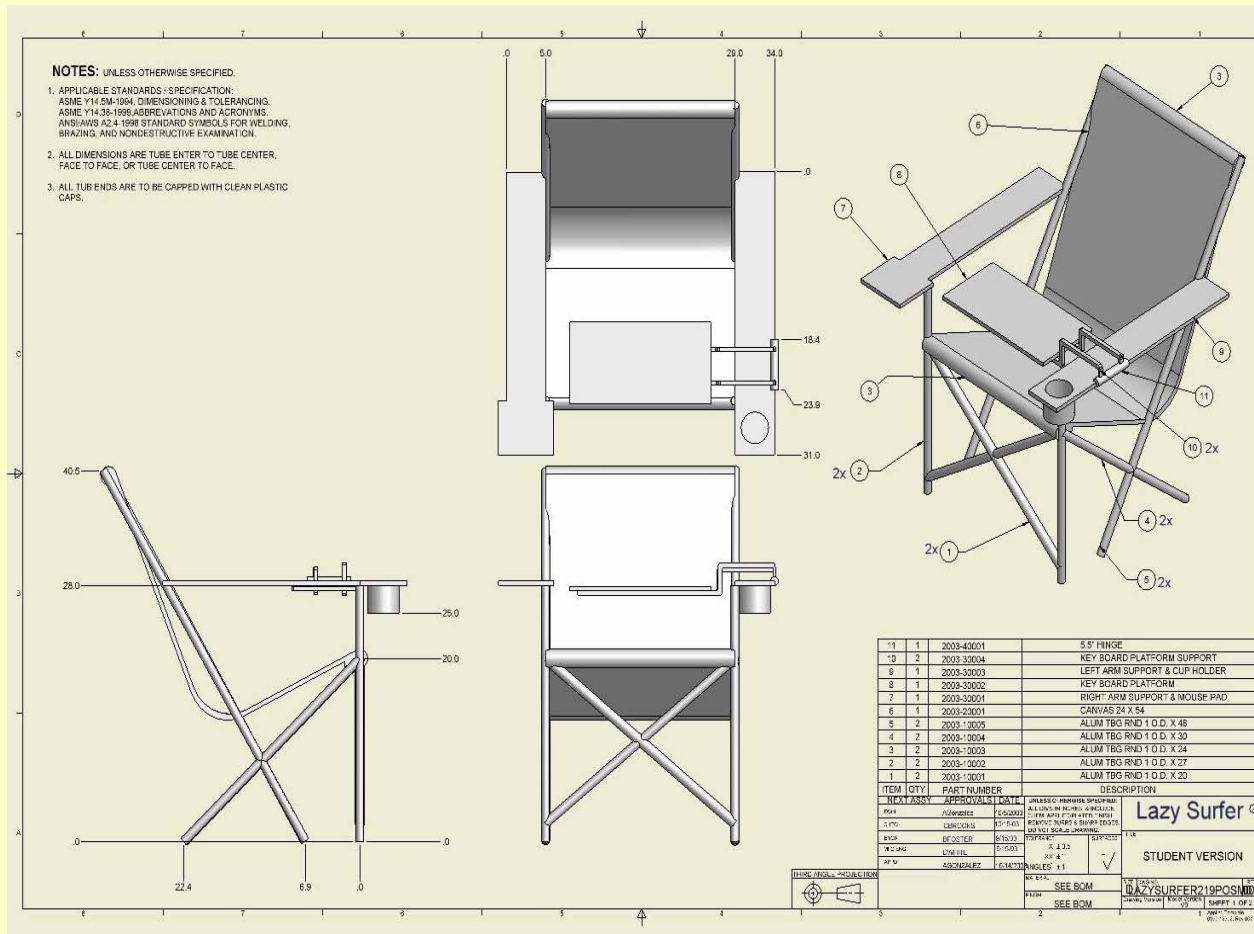


# Sketches





# CAD Drawings



# Prototype



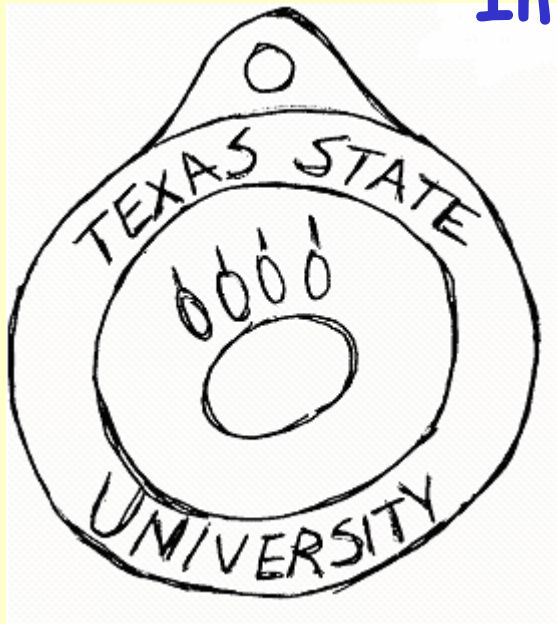
# Keychain

Michael Grayson  
Nathan Mulenberg  
Cris Martinez  
Daniel Shelton





**Improved Sketches**





Select front surface or csys axis.




- Men
- ▼ P
- Fea
- Mod
- Sim
- Reg
- Rela
- Rela
- Fam
- Ded
- Set
- X-se
- Pro
- Inte
- Cop







Product  
In Use



Order Your  
Keychain  
Today



# A Modified C-Clamp

Matt Burnett

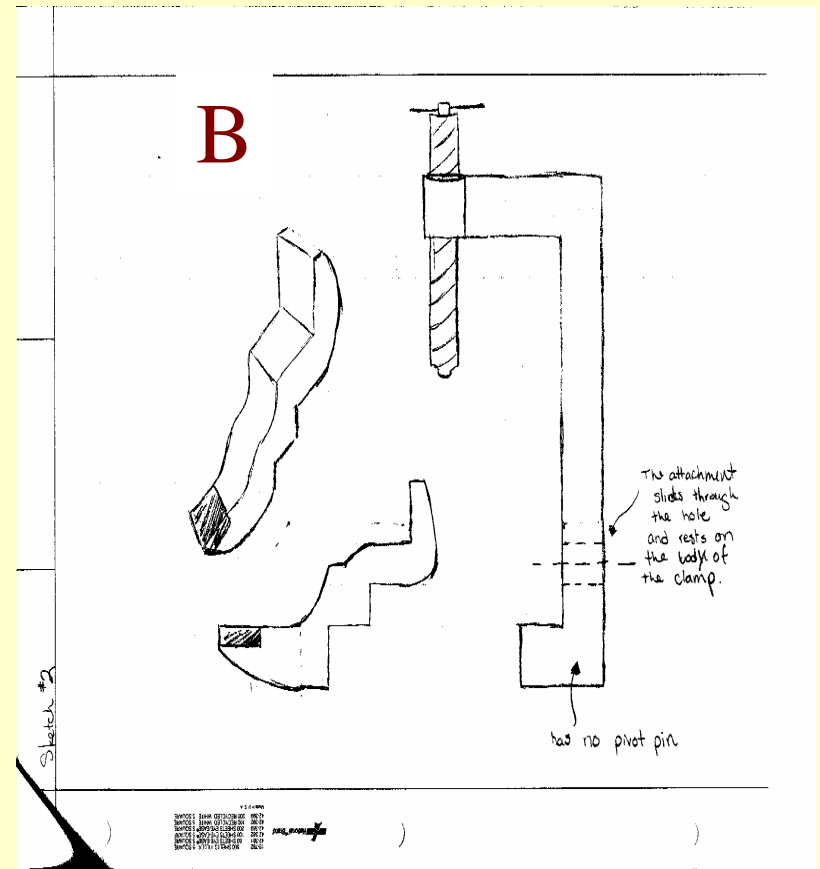
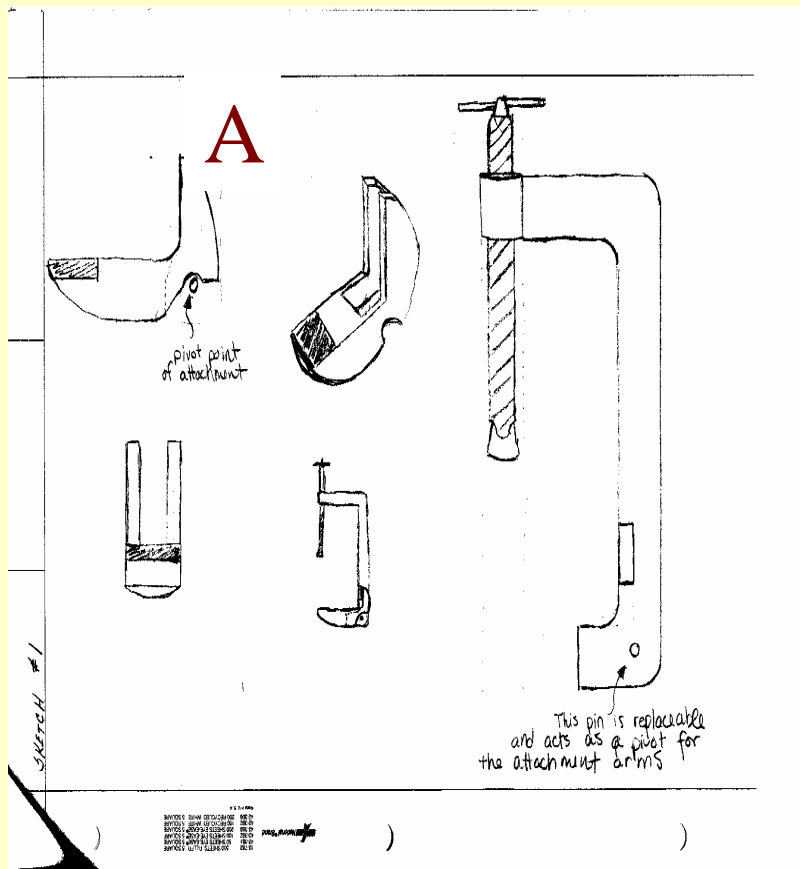
David Chan

Chris Robertson

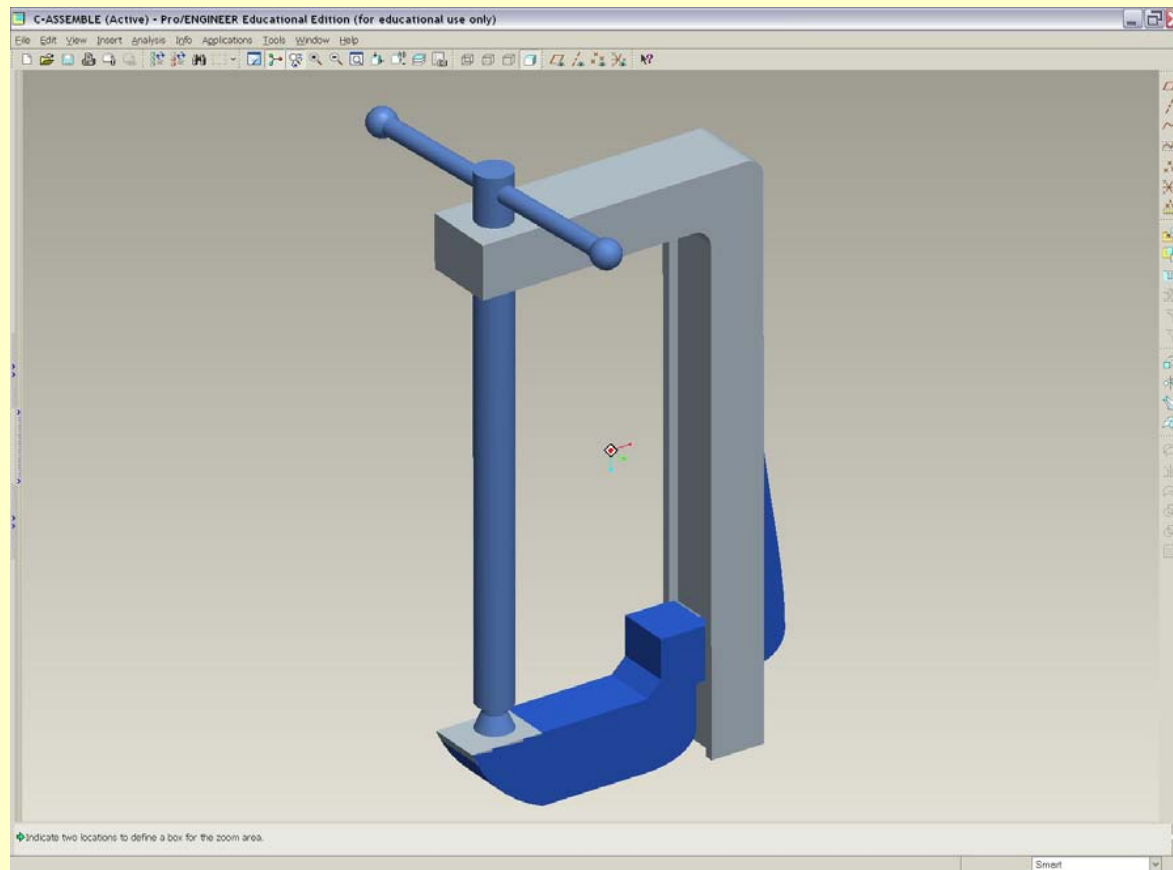
J.R. Urbina



# Concept Sketches



# Final Concept



# Foundry



# Final Product



# Humidors

Tim Thomas  
Stefan Emami  
Sharon Roxas  
James Jorge



Compe

● Streng

– CIM (high

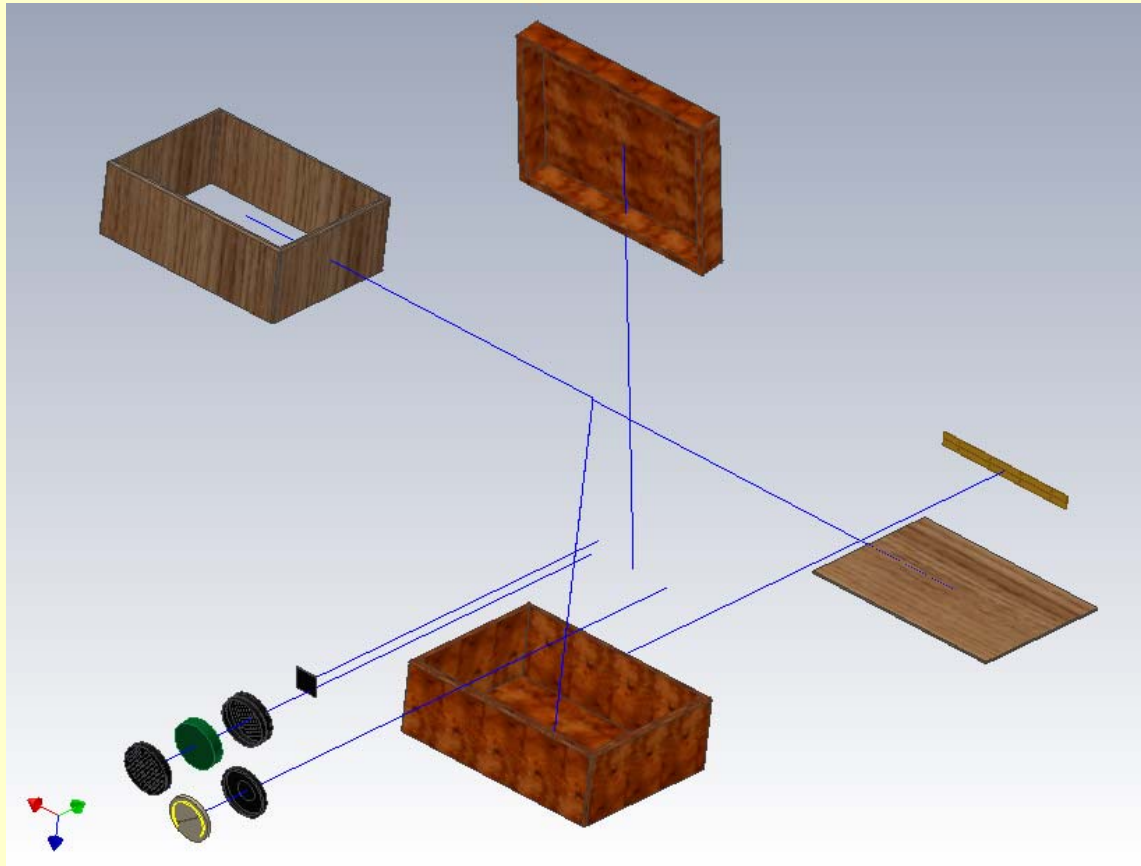
– Qual (Prof

– The

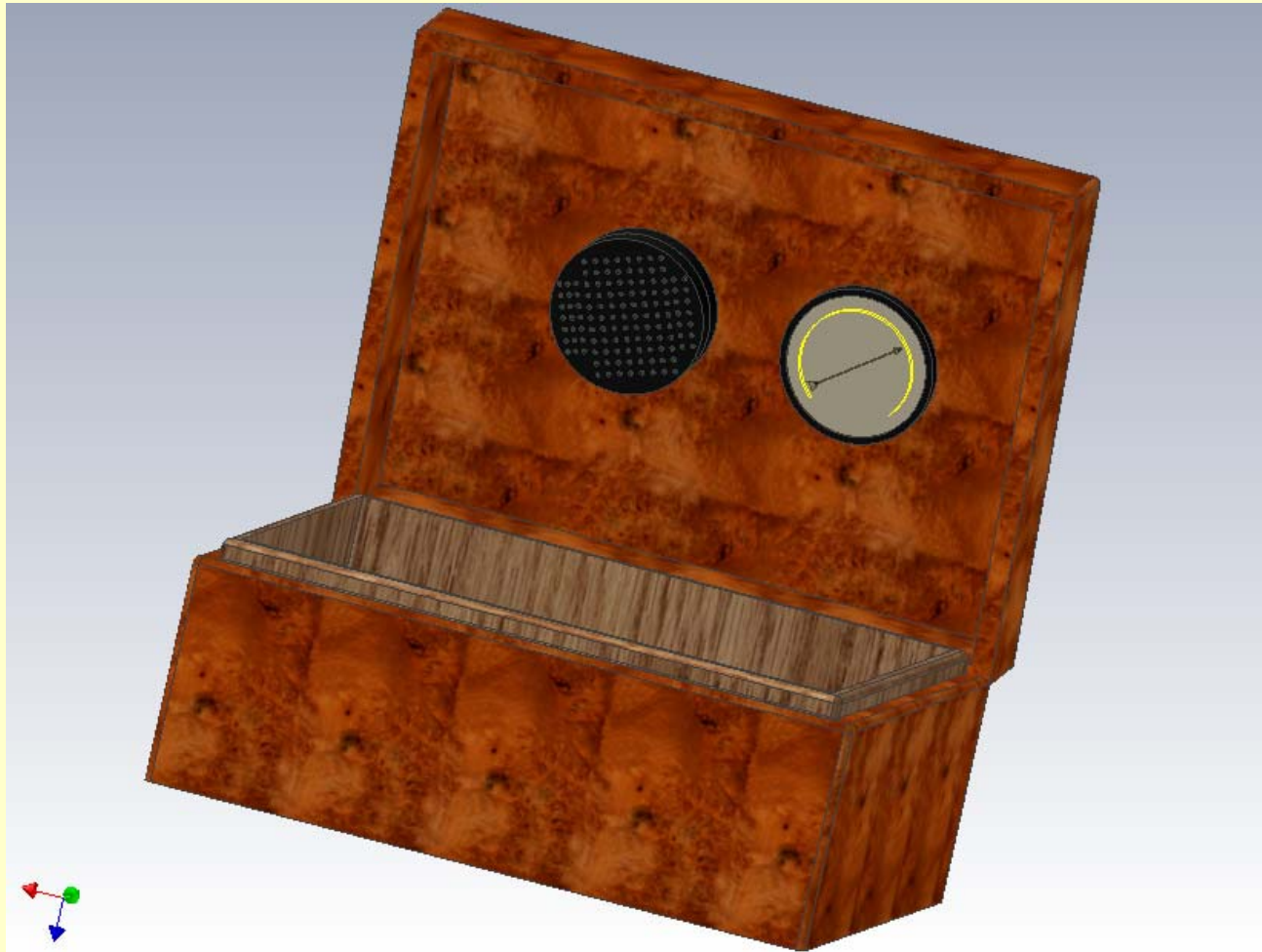
● Weak

– High

# Humidor Product Assembly



# Fundamental Product





# EZ Hammock

Edward Salinas

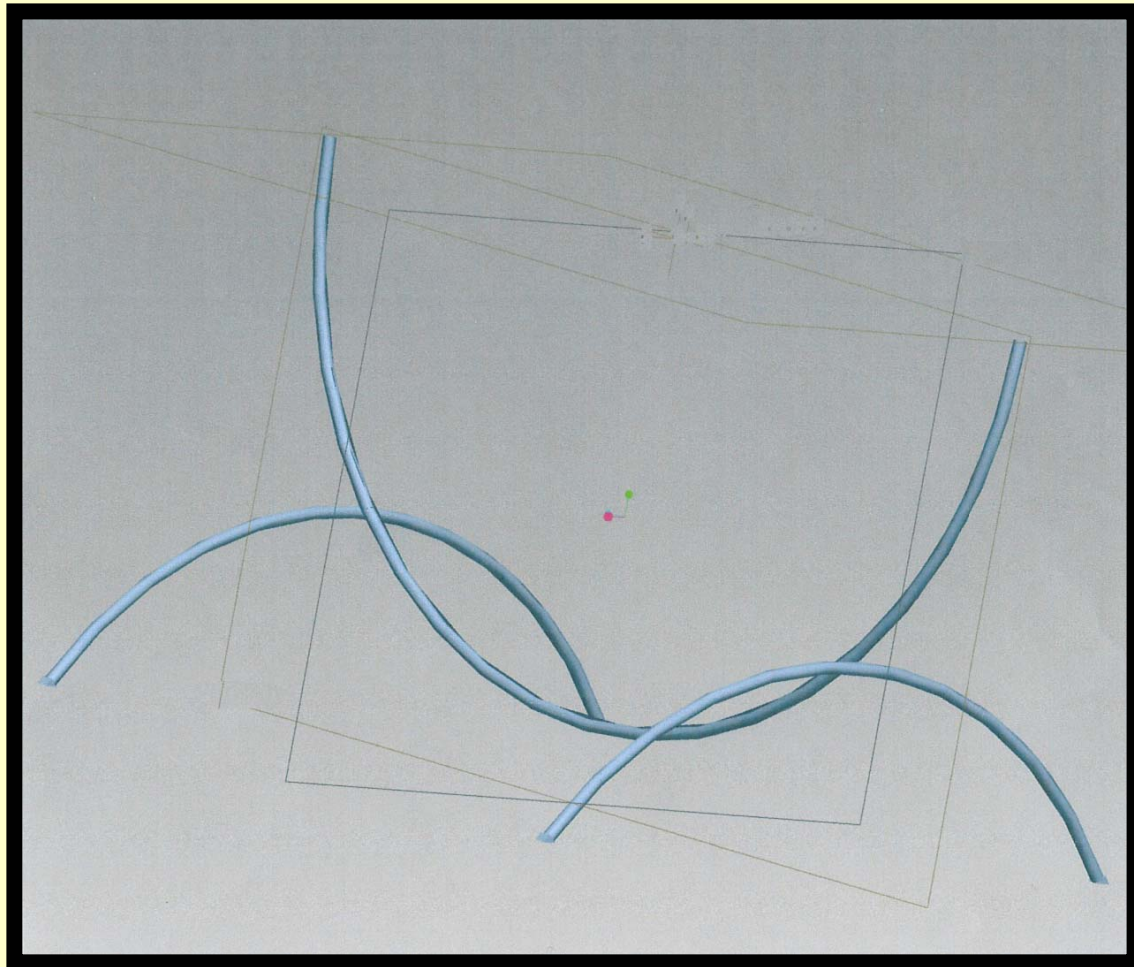
Robert Salinas

Jesse Hancock

Tim Currie



# Final Design



# Prototype



# Prototype



# Expert panel (Judges)

