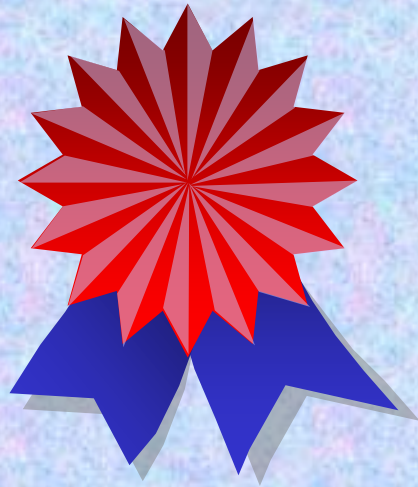


Texas State University- San Marcos
Department of Engineering and Technology

***2005 Best Product Development Contest
Award***



2005 Best Team: FlexFORM

Automated curb maker

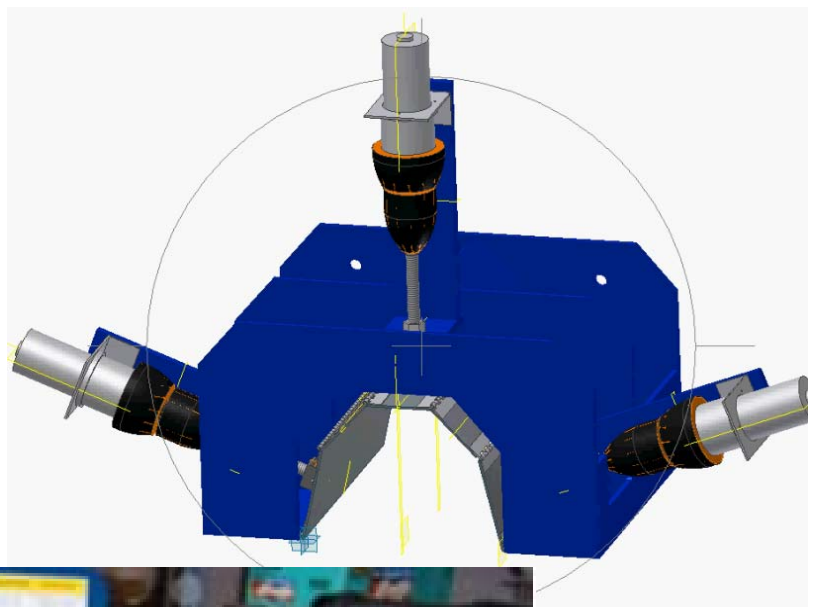
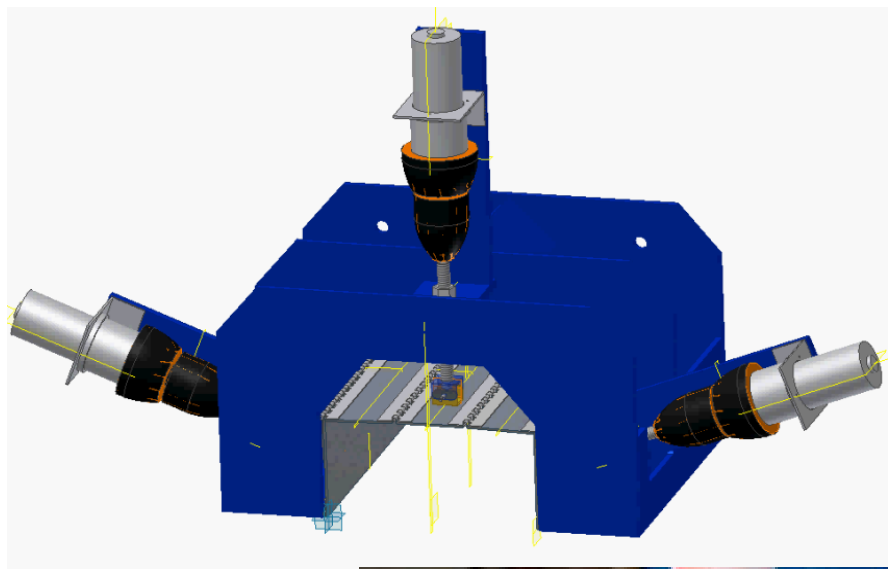
Julio Mata

Naureen Wahed

John Morgan

Dillon Doyle





Manufacturing

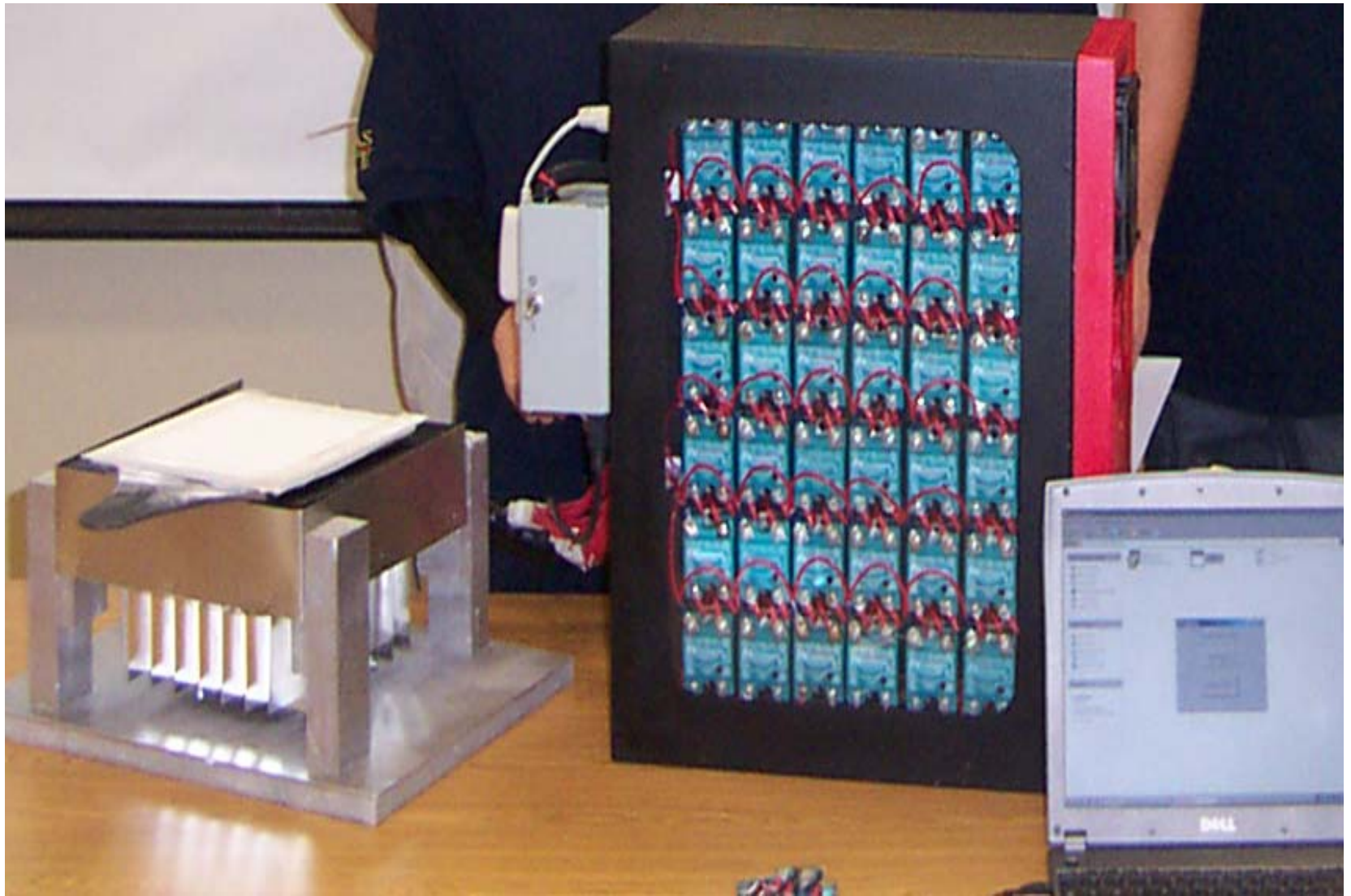


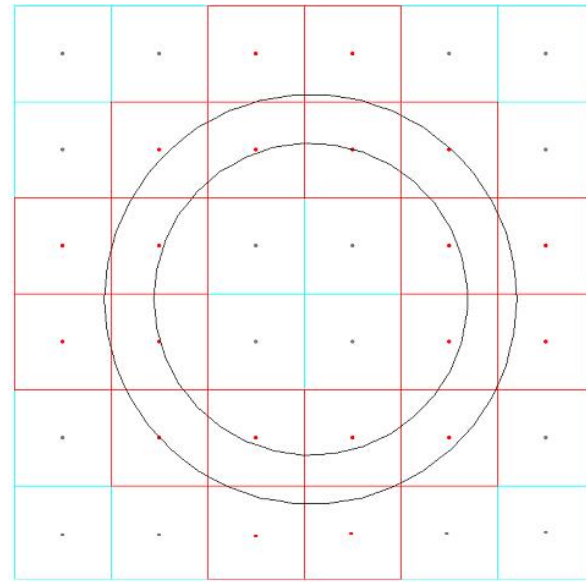
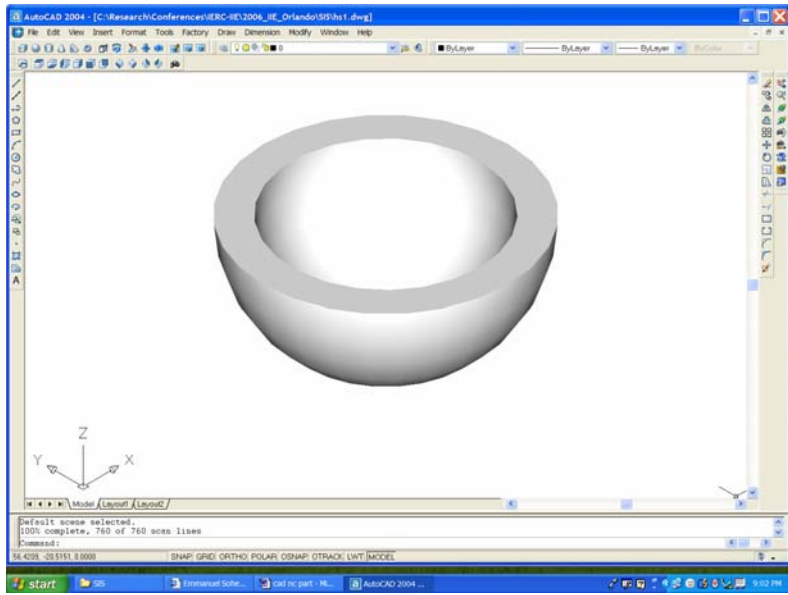


Programmable heater

Lane VanWagner
Thomas McCormick
Anne Tseng
Tsung Lee







Honeycomb Cleaners (Goodrich)

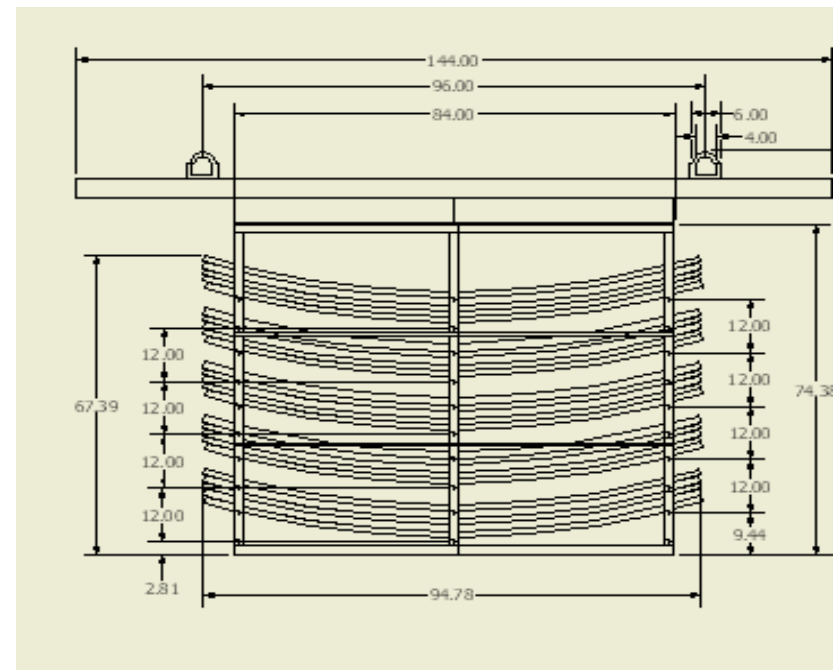
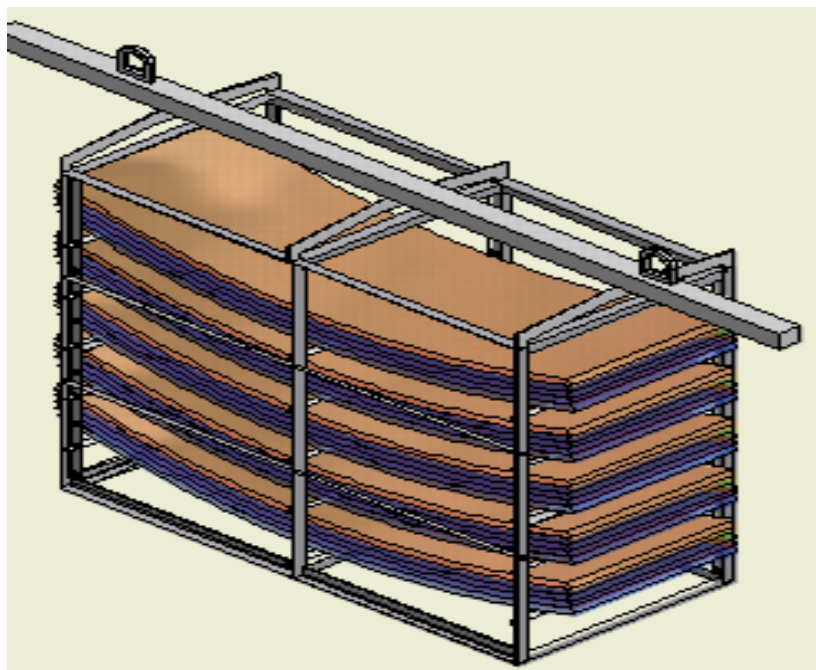
John Buehrig

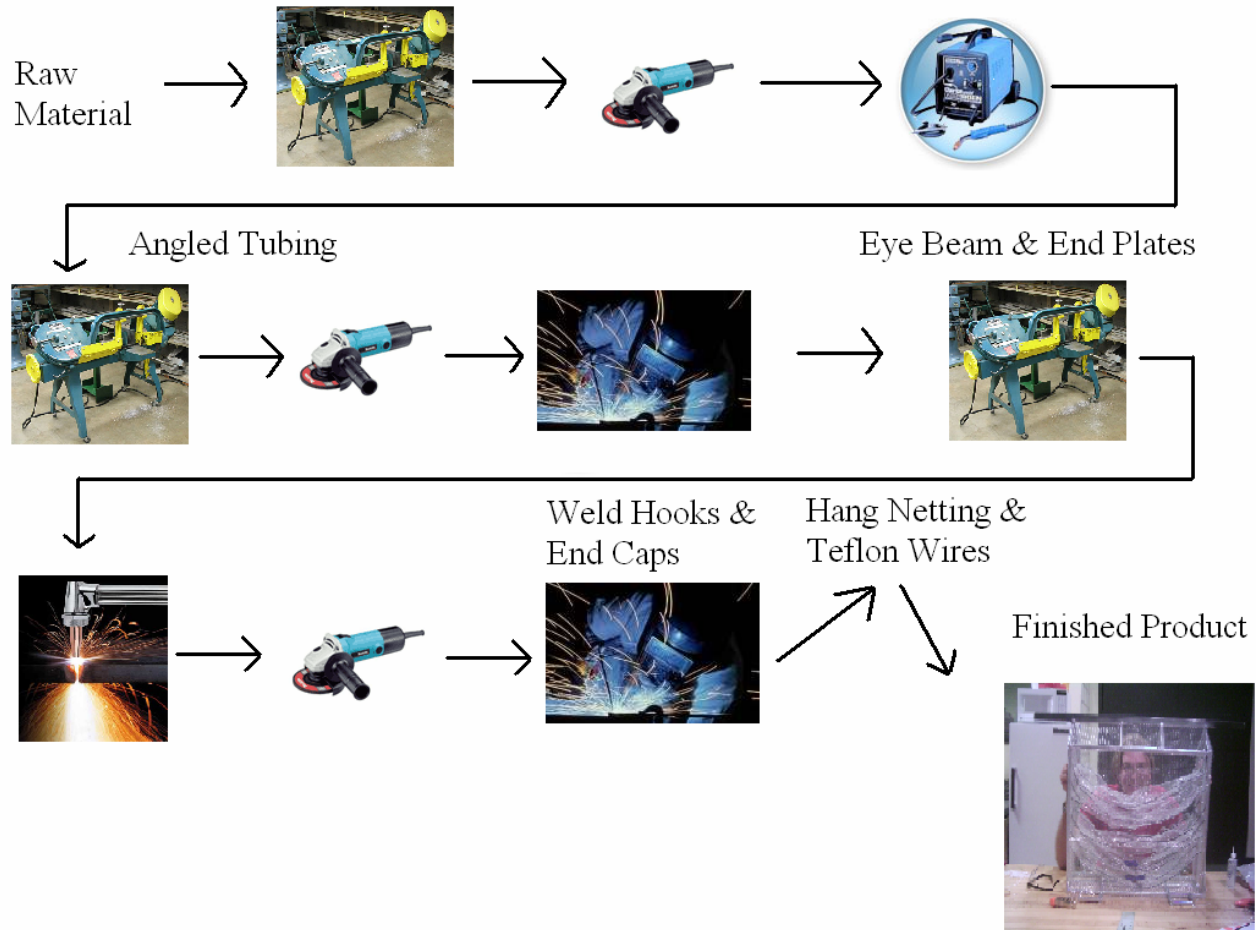
Kris Harm

Angel Bueno

Jesse Suarez







Cleaning Process



Burrliminator (Thermon)

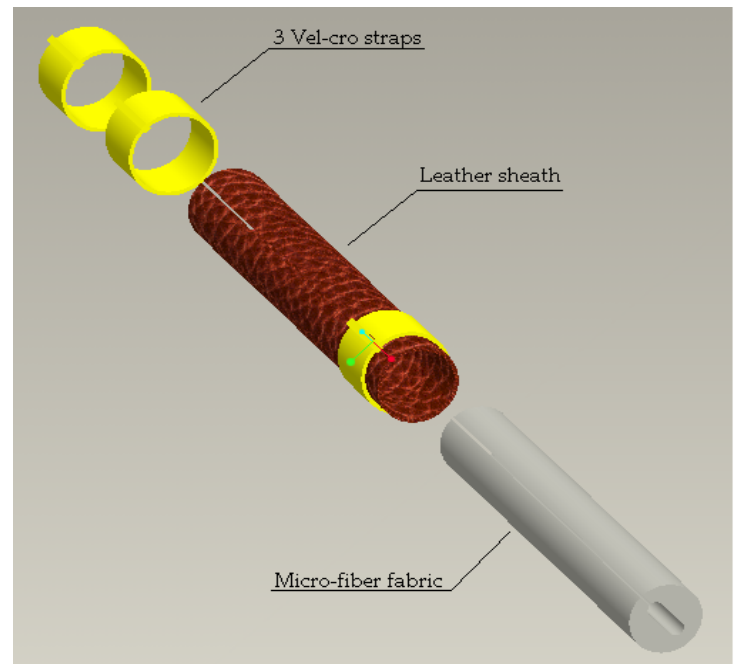
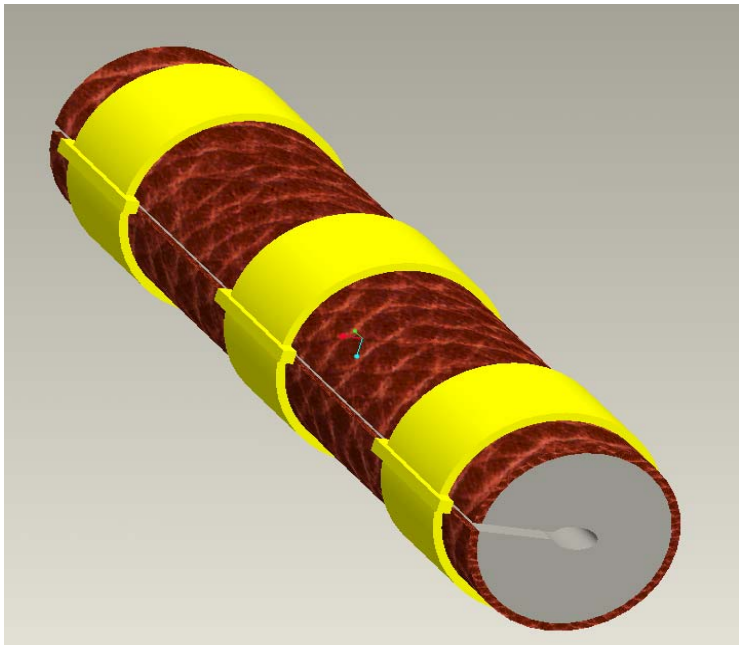
Zeb Stewart

Katie McDonald

Will Reese

Jonathan Mazoch



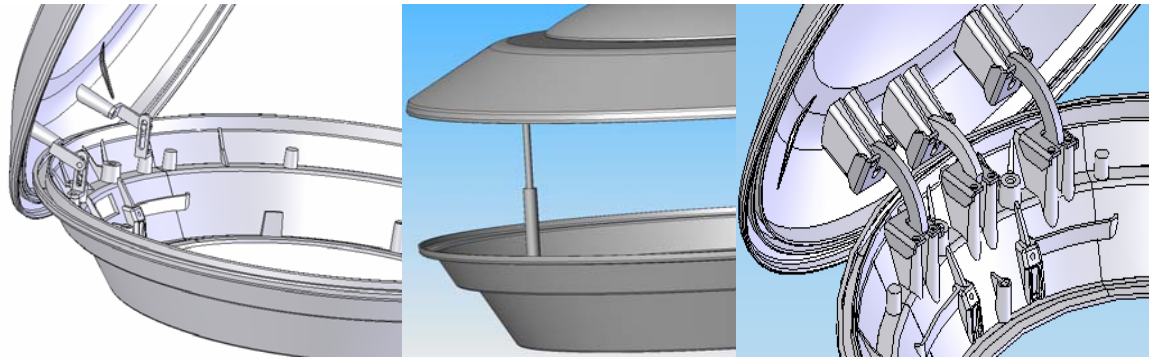


Hinge design (Widelite)

Cody Jinkins
Blake Bailey
Amy Ortiz
Tito Neri

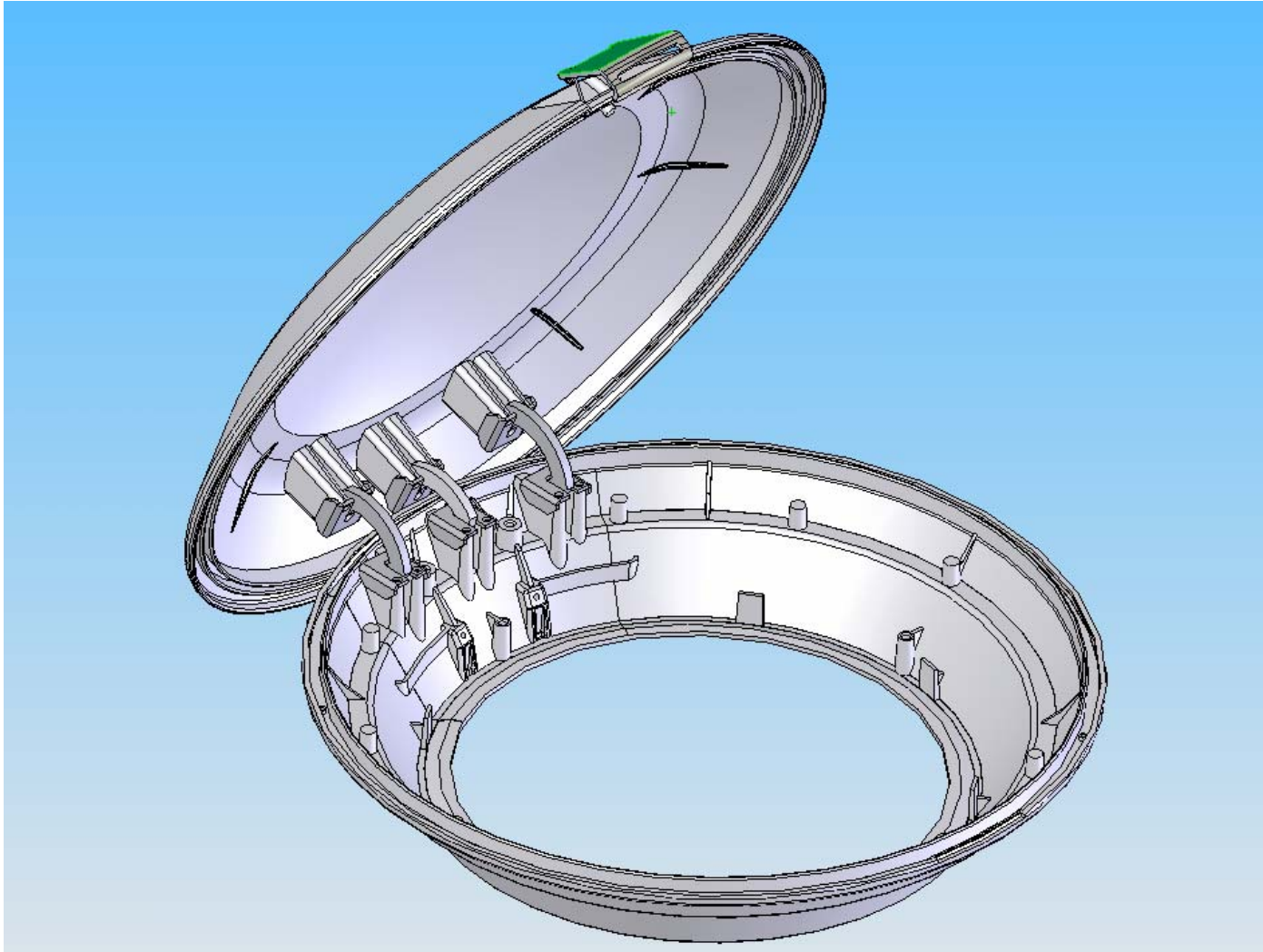


Concept Scoring

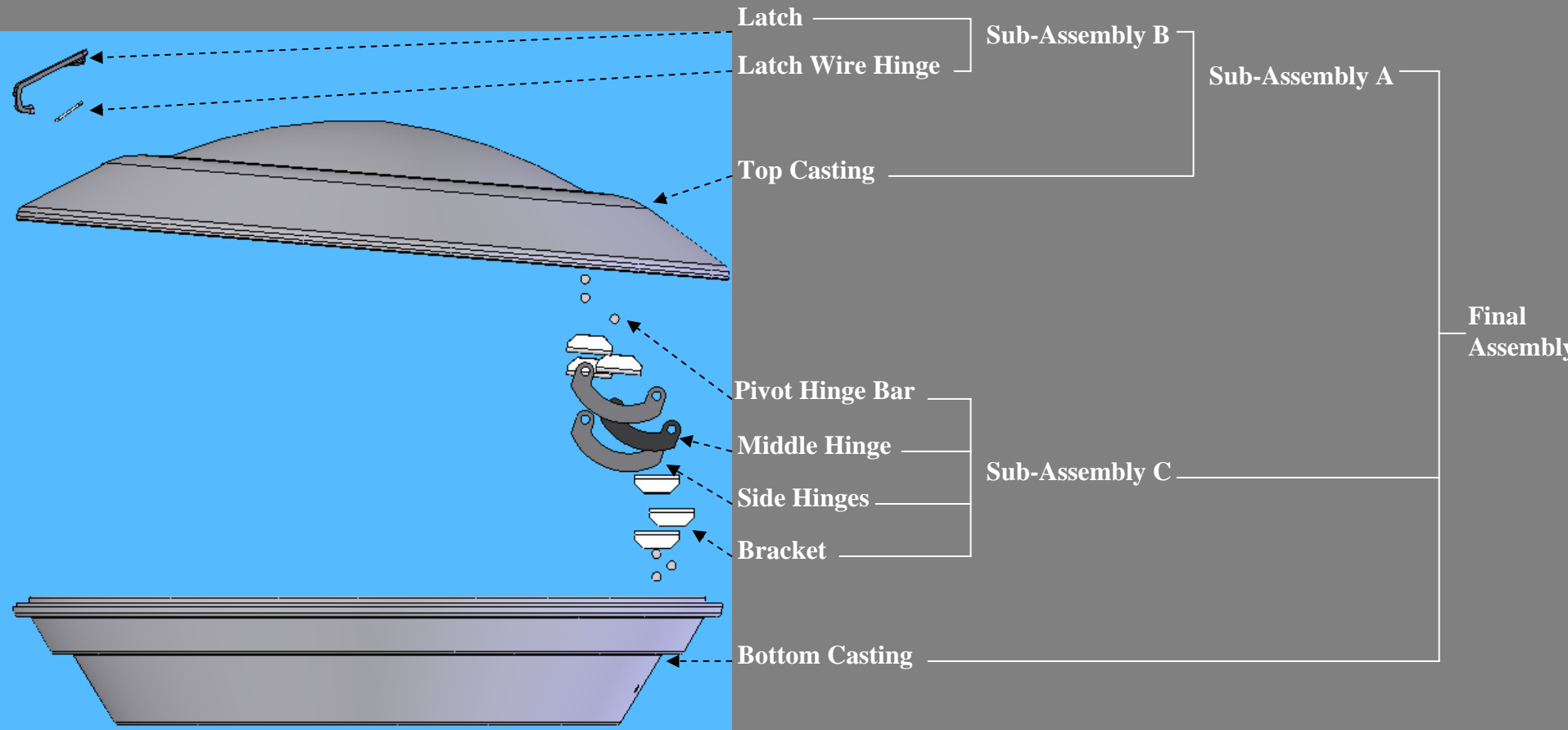


		Concept					
		A Slotted Hinge w/ Latch		E Hydraulics w/ Cam Lock		G Four-bar Hinge w/ Latch	
Selection of Criteria	Weight	Rating	Weighted Score	Rating	Weighted Score	Rating	Weighted Score
Reliability	17.20%	3	0.516	2	0.344	3	0.516
Toolless	17.20%	3	0.516	3	0.516	3	0.516
Maintenance Access	13.80%	4	0.552	2	0.276	4	0.552
Interior Hinges	17.20%	3	0.516	3	0.516	3	0.516
Hinges Not Interfering with Light	10.40%	2	0.208	4	0.416	4	0.416
Rain Proof	10.40%	3	0.312	3	0.312	3	0.312
Easily Replaced Parts	13.80%	3	0.414	2	0.276	3	0.414
	Total Score	3.034		2.656		3.242	
	Rank	2		3		1	
	Continue?	No		No		Yes	

Four Bar Hinge



Graphical BOM





Audience



Expert panel



Ant the best design prize goes to...

