

# E1.06 - Child Awareness and Protection System

**Alec Harris, Ayad Brkhesh, Brent Gardner, Will Sampson**  
 Sponsored by Texas State University



## Purpose

CAPS has been created to prevent hot car deaths of children.

## Background

According to NHTSA, "25 children have died from overheating in vehicles in 2020, while 21 have died in 2021".

## Approach

Design Team 1.06 plans to use multiple sensors, auditory and visual alarms to prevent children from being forgotten in the car.

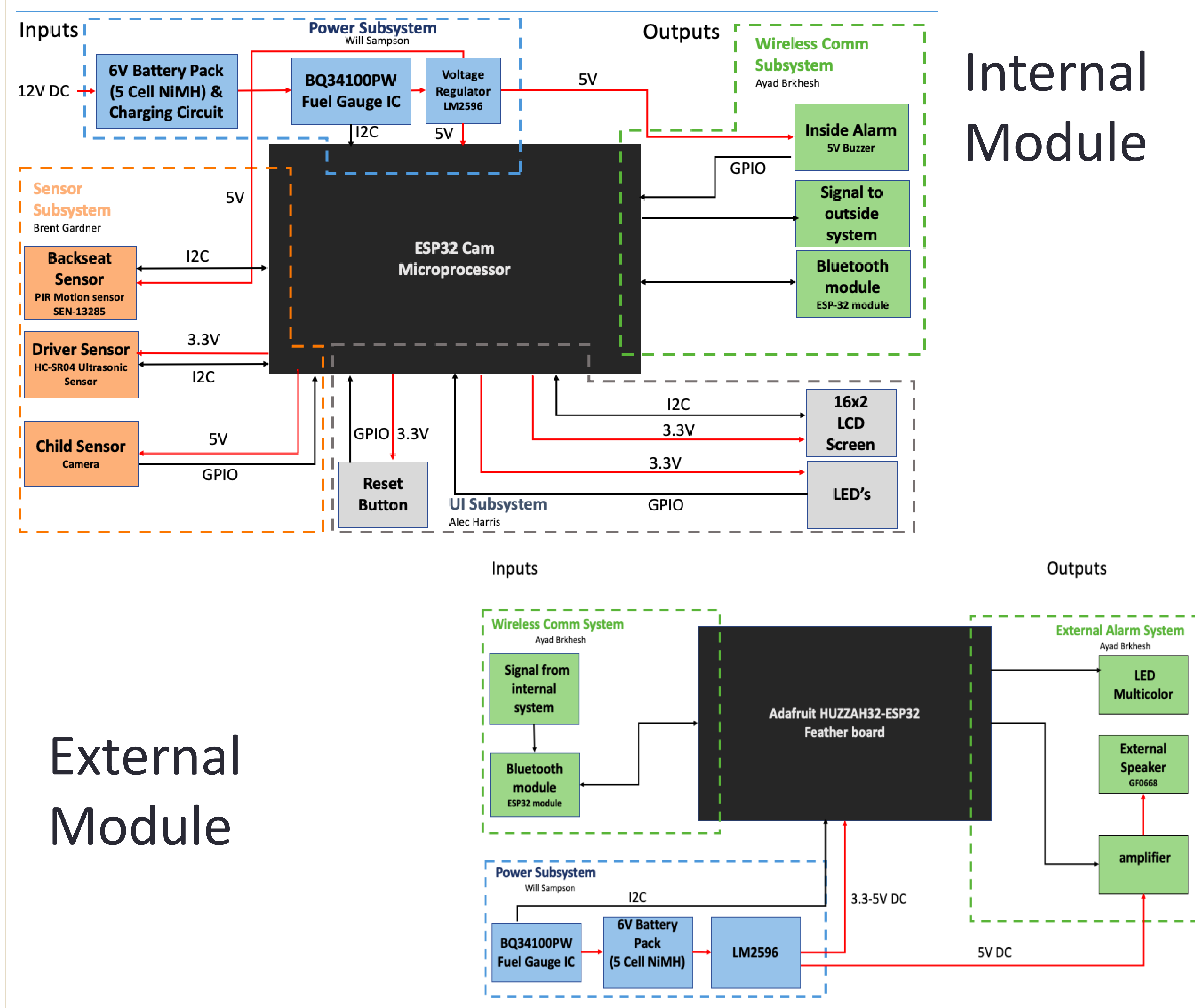
## Acknowledgements

Dr. Aslan (Faculty Advisor)



Alec Harris   Ayad Brkhesh   Brent Gardner   Will Sampson

## Block Diagrams



## Requirements

- Sensors to detect child and driver inside vehicle
- Internal and external alarms connected via wireless connection
- Three battery levels with low battery chirp
- Ability to reset system via User Interface
- Differentiate between child and other objects

## Next Semester Plans

- Configure Code for each module
- Test Camera on kid-like objects for verification
- Complete wireless connection testing
- Full System Integration
- Full system Testing using 3 different vehicles

## Diagram

