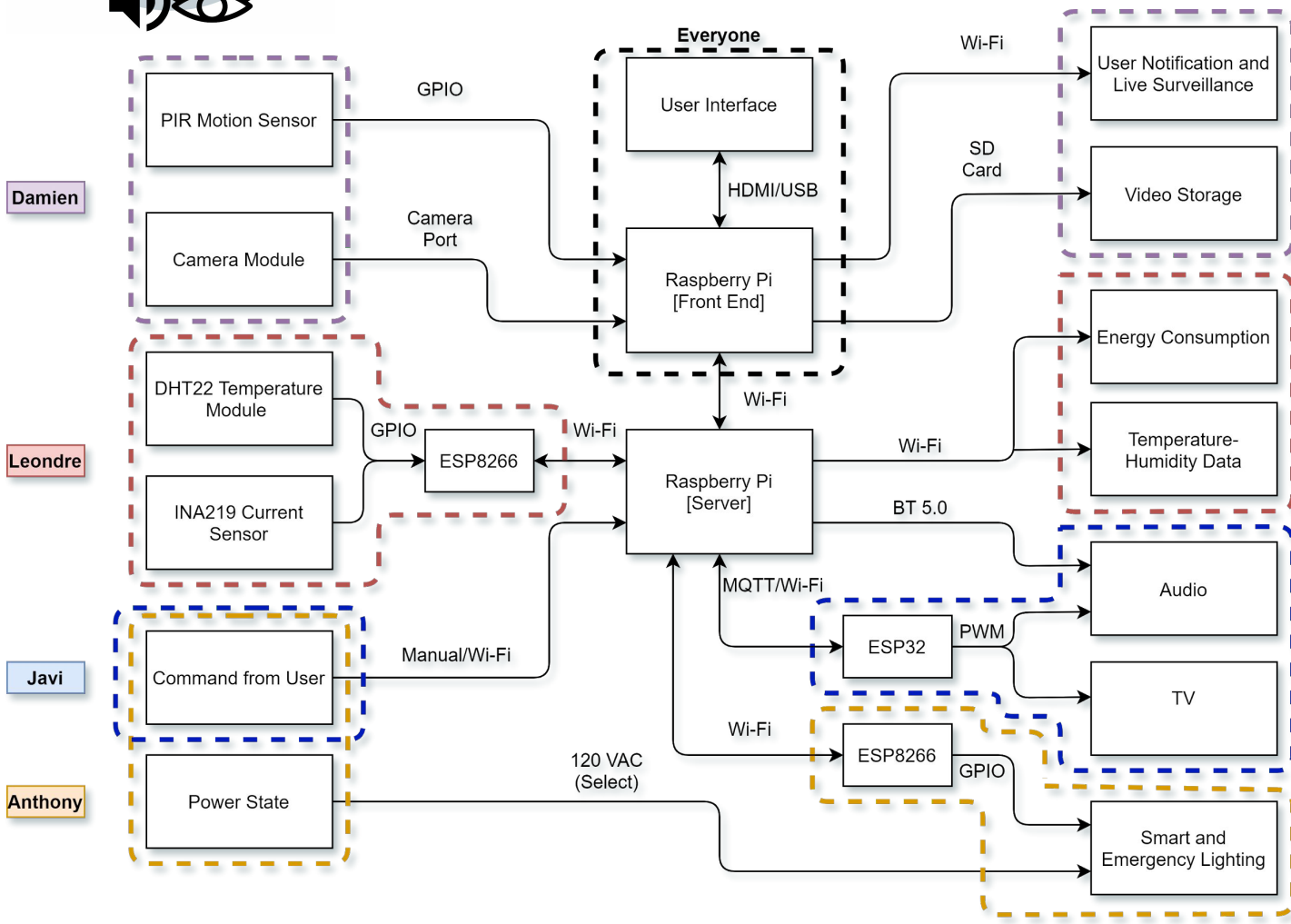


Home Automation

Team 2.11: Anthony Pummill (Project Manager), Javier Benitez-Albiter, Leondre Washington, Damien Pena



Damien

Leondre

Javi

Anthony

Central Hub	The Central hub has a back-end server and a front-end Desktop OS that uses Home Assistant dashboard browser application to control and/or monitor each subsystem via a 5" touch screen display.
Smart Lighting Controls	<ul style="list-style-type: none"> Emulated, scheduled, and voice-controlled Wi-Fi dimmer switch. Automated power-loss controlled emergency light system with self charging battery pack.
Break-in Detection	<ul style="list-style-type: none"> User scheduled and motion detected notifications. Save 20 second videos when motion is detected. View live feed from the camera.
Temperature & Energy Monitoring	<ul style="list-style-type: none"> Temperature and humidity sensing throughout the home. Measure the energy consumption of a specific device. Output data graphically to the user with sms notifications.
Audio/Visual	<ul style="list-style-type: none"> Scheduling, Voice activated system controlled, Wi-Fi, Infrared and Bluetooth functionalities Control a Visual system using Infrared signals Control a Audio system using Bluetooth signals