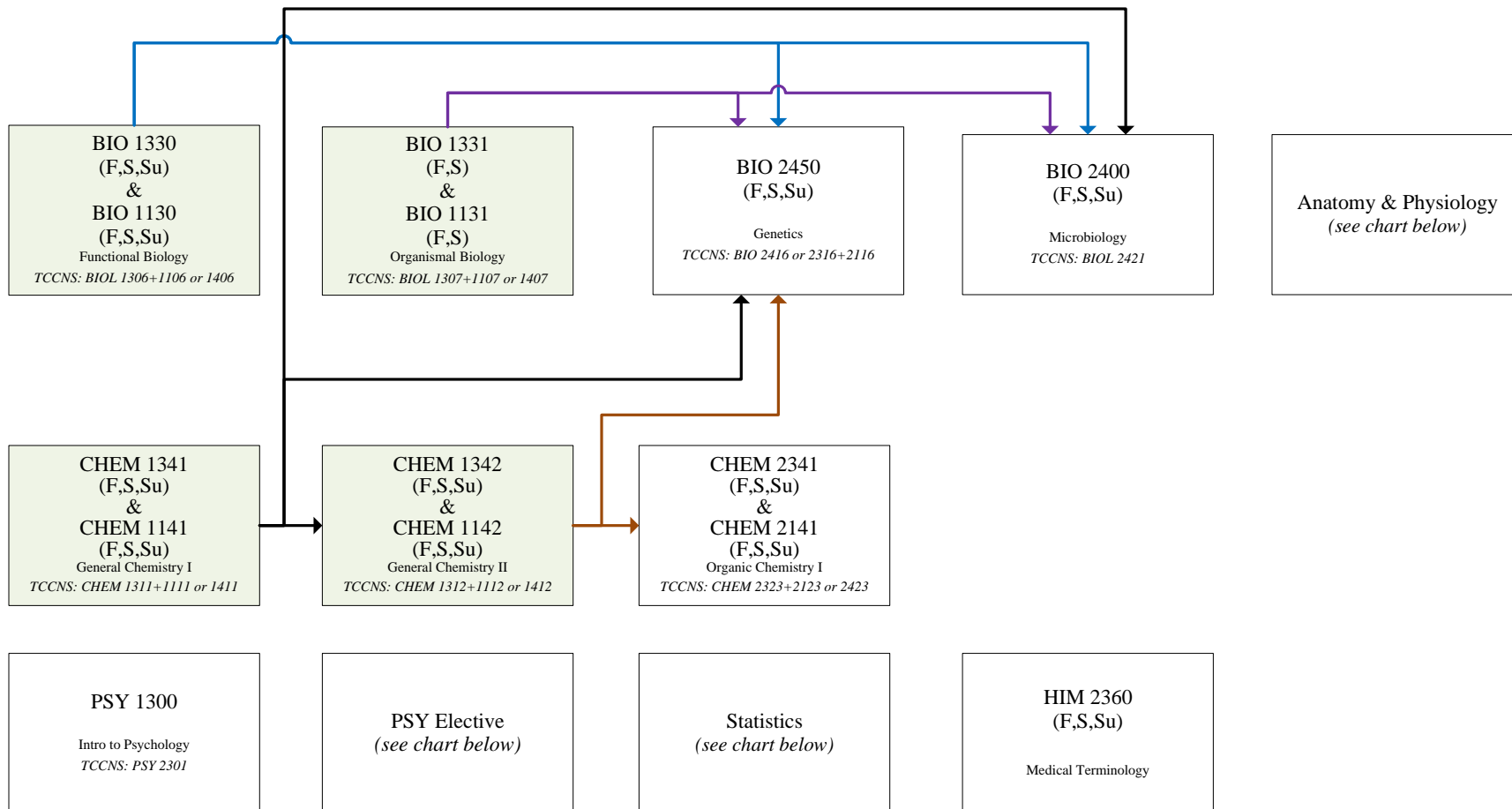


Pre-Physician Assistant Studies

2023 Catalog



| | Psychology Elective | Statistics | Anatomy & Physiology |
|---|--|--|--|
| <i>Recommended for Chemistry, Biochemistry, Engineering, or Engineering Technology majors</i> | A 3-credit psychology course other than PSY 1300. <i>Check prerequisites.</i> | MATH 2328 – Elementary Statistics or MATH 3305 – Probability & Statistics | BIO 3425 – Human Anatomy (F,S) & BIO 3426 – Human Physiology (F) <i>Check prerequisites</i> |
| <i>Recommended for Biology and Microbiology majors</i> | Examples: PSY 3300 – Lifespan Development PSY 3312 – Adolescent Development PSY 3313 – Psychology of Adulthood & Aging PSY 3314 – Psychology of Consciousness PSY 3315 – Psychopathology PSY 3316 – Personality Psychology PSY 3321 – Sensation and Perception PSY 3322 – Brain and Behavior PSY 3331 – Social Psychology PSY 3334 – Psychology of Human Diversity PSY 3361 – Health Psychology | MATH 2328 – Elementary Statistics <i>TCCNS: MATH 1342</i> | |
| <i>Recommended for Health Sciences majors</i> | | HP 3325, SOCI 3307, PSY 2301, CJ 3347, or MATH 2328 | |
| <i>Recommended for Psychology majors</i> | | PSY 2301 – Intro to Statistics | |