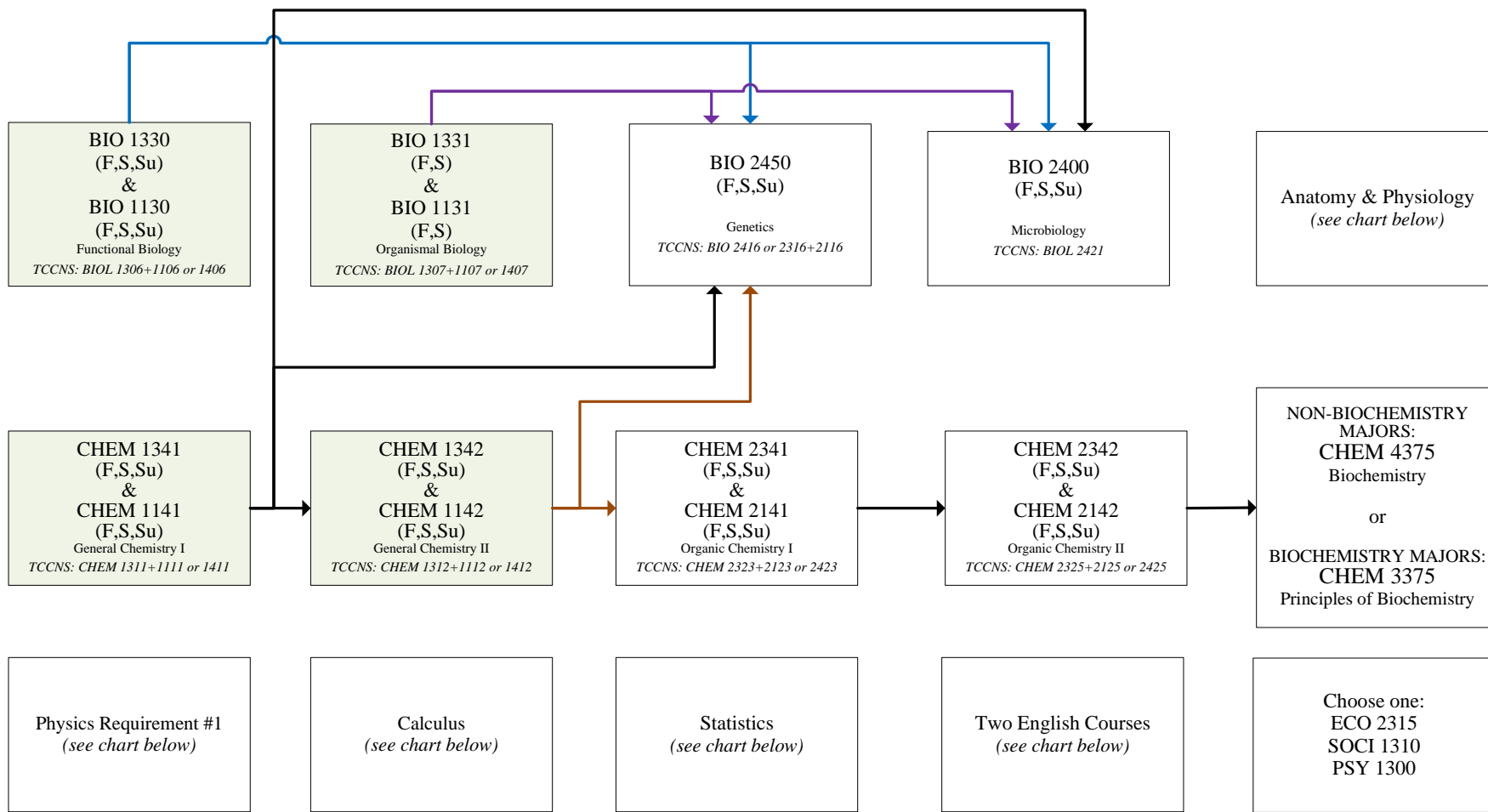


Pre-Pharmacy Studies

2023 Catalog



	Physics Requirement #1	Calculus	Statistics	Anatomy & Physiology	Two English courses
<i>Recommended for Chemistry, Biochemistry, Engineering, or Engineering Technology majors</i>	PHYS 1430 Mechanics	MATH 2471 – Calculus I TCCNS: MATH 2413	MATH 2328 – Elementary Statistics or MATH 3305 – Probability & Statistics	<i>If no 2nd minor in biology:</i> BIO 2451 (F,S) & BIO 2452 (S,Su) <i>If 2nd minor in biology:</i> BIO 3425 (F,S) & BIO 3426 (F)	ENG 1310 ENG 1320 ENG 1321 ENG 2310 ENG 2320 ENG 2330 ENG 2340 ENG 2359 ENG 2360 ENG 2371 ENG 3303 HON 2301A HON 2301B
<i>Recommended for Biology and Microbiology majors</i>	PHYS 1335 & 1115 General Physics I for Life Sciences Majors	MATH 2321 TCCNS: MATH 2313	MATH 2328 – Elementary Statistics TCCNS: MATH 1342	BIO 3425 – Human Anatomy (F,S) & BIO 3426 – Human Physiology (F)	
<i>Recommended for Health Sciences majors</i>	PHYS 1315 & 1115 General Physics I	MATH 2321 TCCNS: MATH 2313	MATH 2328 TCCNS: MATH 1342	<i>If no 2nd minor in biology:</i> BIO 2451 (F,S) & BIO 2452 (S,Su) <i>If 2nd minor in biology:</i> BIO 3425 (F,S) & BIO 3426 (F)	
<i>Recommended for Psychology majors</i>	PHYS 1315 & 1115 General Physics I	MATH 2321 TCCNS: MATH 2313	MATH 2328 TCCNS: MATH 1342	<i>If no 2nd minor in biology:</i> BIO 2451 (F,S) & BIO 2452 (S,Su) <i>If 2nd minor in biology:</i> BIO 3425 (F,S) & BIO 3426 (F)	