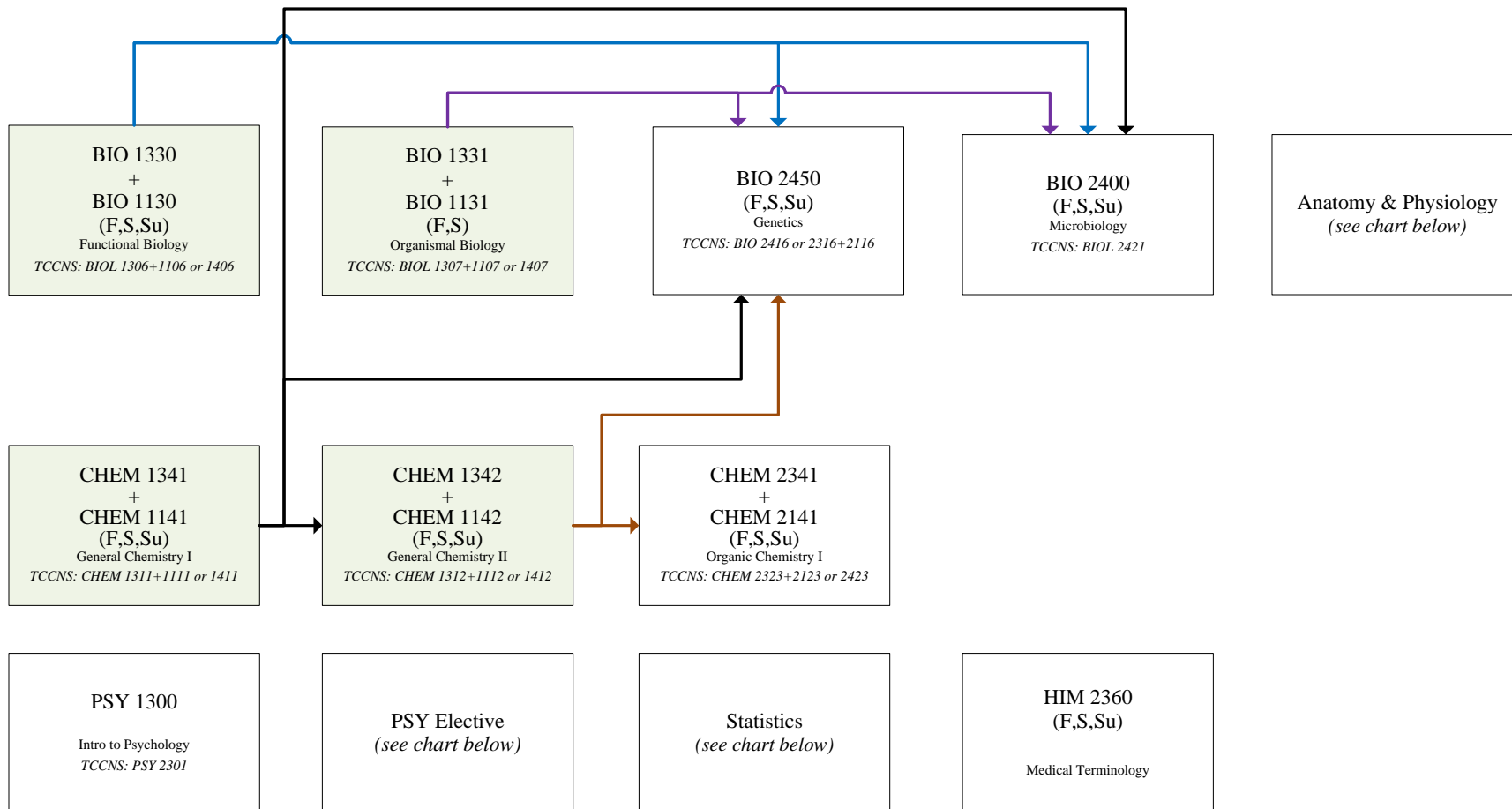


# Pre-Physician Assistant Studies

20234 Catalog



	Psychology Elective	Statistics	Anatomy & Physiology
<i>Recommended for Chemistry, Biochemistry, Engineering, or Engineering Technology majors</i>	A 3-credit psychology course other than PSY 1300. <i>Check prerequisites.</i>  Examples: PSY 3300 – Lifespan Development PSY 3312 – Adolescent Development PSY 3313 – Psychology of Adulthood & Aging PSY 3314 – Psychology of Consciousness PSY 3315 – Psychopathology PSY 3316 – Personality Psychology PSY 3321 – Sensation and Perception PSY 3322 – Brain and Behavior PSY 3331 – Social Psychology PSY 3334 – Psychology of Human Diversity PSY 3361 – Health Psychology	MATH 2328 – Elementary Statistics <i>TCCNS: MATH 1342</i> or MATH 3305 – Probability + Statistics	BIO 3425 – Human Anatomy (F,S) + BIO 3426 – Human Physiology (F)  <i>Check prerequisites</i>
<i>Recommended for Biology and Microbiology majors</i>		MATH 2328 – Elementary Statistics <i>TCCNS: MATH 1342</i>	
<i>Recommended for Health Sciences majors</i>		HP 3325, SOCI 3307, PSY 2301, CJ 3347, or MATH 2328 <i>TCCNS: MATH 1342</i>	
<i>Recommended for Psychology majors</i>		PSY 2301 – Intro to Statistics	