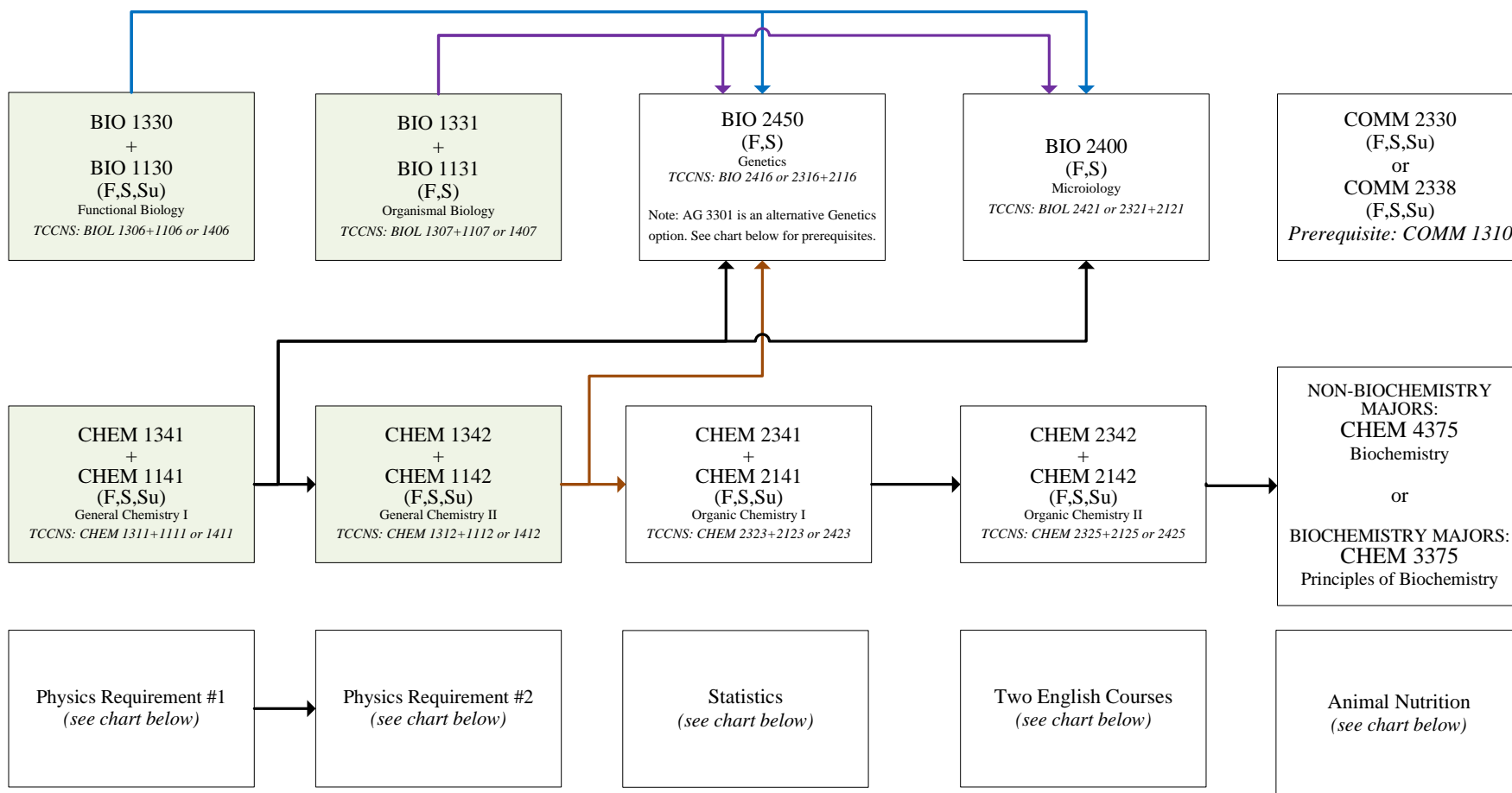


Pre-Veterinary Studies

2024 Catalog



	Physics Requirement #1	Physics Requirement #2	Statistics	Genetics	Animal Nutrition	Two English courses
<i>Recommended for Chemistry, Biochemistry, Engineering, or Engineering Technology majors</i>	PHYS 2325+2125 Mechanics (previously PHYS 1430)	PHYS 2326+2126 Electricity & Magnetism (previously PHYS 2425)	MATH 3305 – Probability + Statistics Prerequisite: MATH 2472 with C or better.	BIO 2450 – Genetics Prerequisites: BIO 1330/1130, BIO 1331/1131, CHEM 1341/1141, CHEM 1342/1142 with Cs or better.	AG 3325 – Animal Nutrition Prerequisite: AG 1445 and BIO 1130 and BIO 1330 and CHEM 1141 and CHEM 1341 all with grades of "D" or better.	ENG 1310 ENG 1320 ENG 1321 ENG 2310 ENG 2320 ENG 2330 ENG 2340 ENG 2359 ENG 2360 ENG 2371 ENG 3303 ENG 3313 HON 2301A HON 2301B
<i>Recommended for Biology and Microbiology majors</i>	PHYS 1335+1115 General Physics I for Life Sciences Majors	PHYS 1345+1125 General Physics II for Life Sciences Majors	AG 3352 – Quantitative Methods in Agricultural Economics Prerequisites: MATH 1315 or MATH 1319 or MATH 2321 or MATH 2417 or MATH 2471 with C or better	BIO 2450 – Genetics Prerequisites: BIO 1330/1130, BIO 1331/1131, CHEM 1341/1141, CHEM 1342/1142 with Cs or better.	or AG 4325 – Feeds and Feedings	
<i>Recommended for Animal Science majors</i>	PHYS 1315+1115 General Physics I	PHYS 1325+1125 General Physics II	AG 3352 – Quantitative Methods in Agricultural Economics Prerequisites: MATH 1315 or MATH 1319 or MATH 2321 or MATH 2417 or MATH 2471 with C or better	AG 3301 – Principles of Livestock Genetics Prerequisites: AG 1445 and BIO 1330/1130 with Cs or better.	Prerequisites: AG 3325 with a grade of "D" or better.	