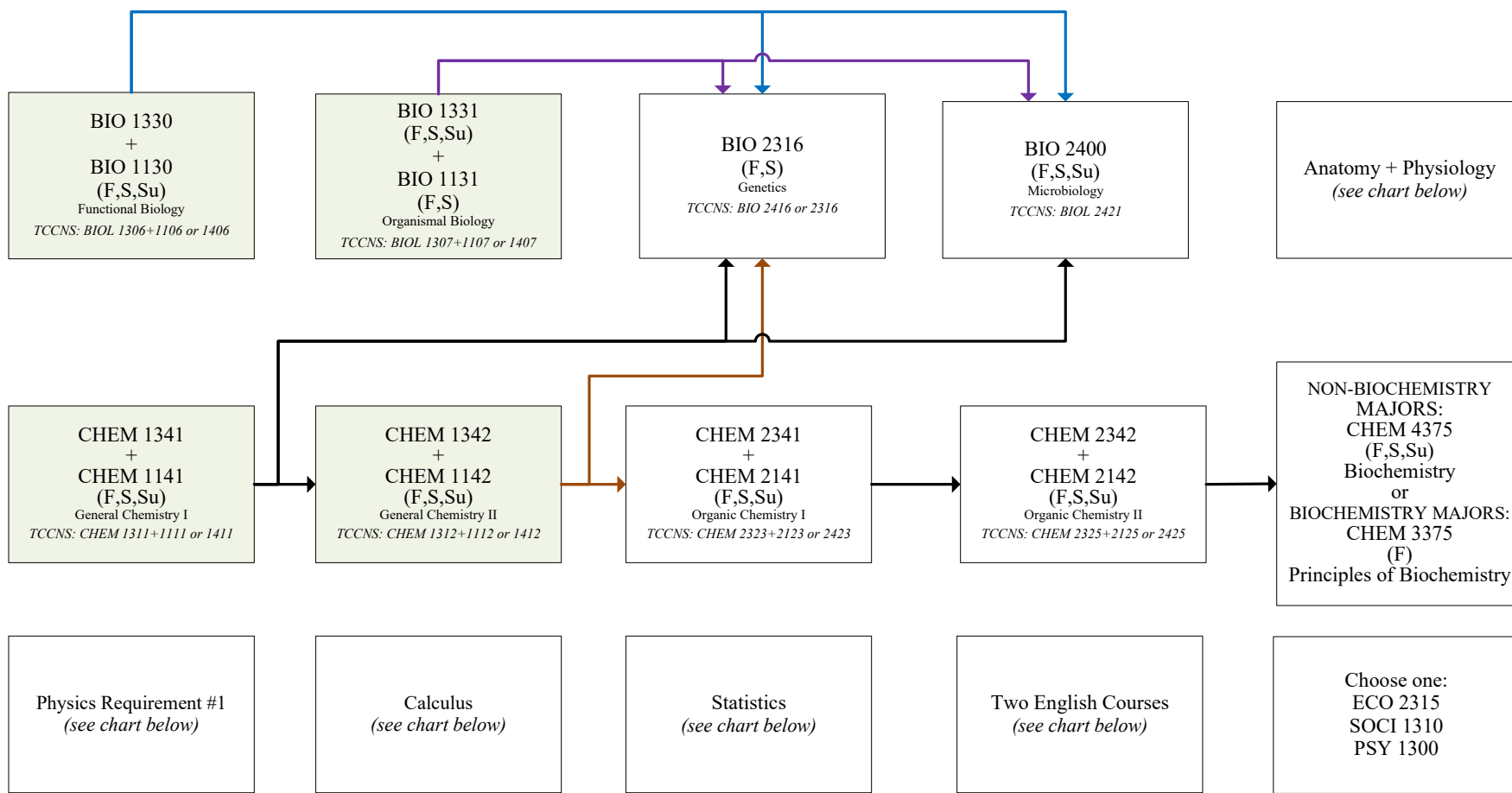


Pre-Pharmacy Studies

2026 Catalog



	Physics Requirement #1	Calculus	Statistics	Anatomy & Physiology	Two English courses
<i>Recommended for Chemistry, Biochemistry, Engineering, or Engineering Technology majors</i>	PHYS 2325+2125 Mechanics	MATH 2471 Calculus I TCCNS: MATH 2413	MATH 2328 Elementary Statistics or MATH 3305 Probability & Statistics	<i>If no 2nd minor in biology:</i> BIO 2451 + 2452 <i>If 2nd minor in biology:</i> BIO 3425 + BIO 3426	ENG 1310 ENG 1320 ENG 1321 ENG 2310 ENG 2320 ENG 2330 ENG 2340 ENG 2359 ENG 2360 ENG 2371 ENG 3303 HON 2301A
<i>Recommended for Biology and Microbiology majors</i>	PHYS 1335+1115 General Physics I for Life Sciences Majors	MATH 2321 Calculus I for Life Sciences TCCNS: MATH 2313	MATH 2328 Elementary Statistics TCCNS: MATH 1342	BIO 3425 Human Anatomy + BIO 3426 Human Physiology	
<i>Recommended for Health Sciences majors</i>	PHYS 1315+1115 General Physics I	MATH 2321 Calculus I for Life Sciences TCCNS: MATH 2313	MATH 2328 Elementary Statistics TCCNS: MATH 1342	<i>If no 2nd minor in biology:</i> BIO 2451+2452 <i>If 2nd minor in biology:</i> BIO 3425+ BIO 3426	
<i>Recommended for Psychology majors</i>	PHYS 1315+1115 General Physics I	MATH 2321 Calculus I for Life Sciences TCCNS: MATH 2313	MATH 2328 Elementary Statistics TCCNS: MATH 1342	<i>If no 2nd minor in biology:</i> BIO 2451+2452 <i>If 2nd minor in biology:</i> BIO 3425+BIO 3426	