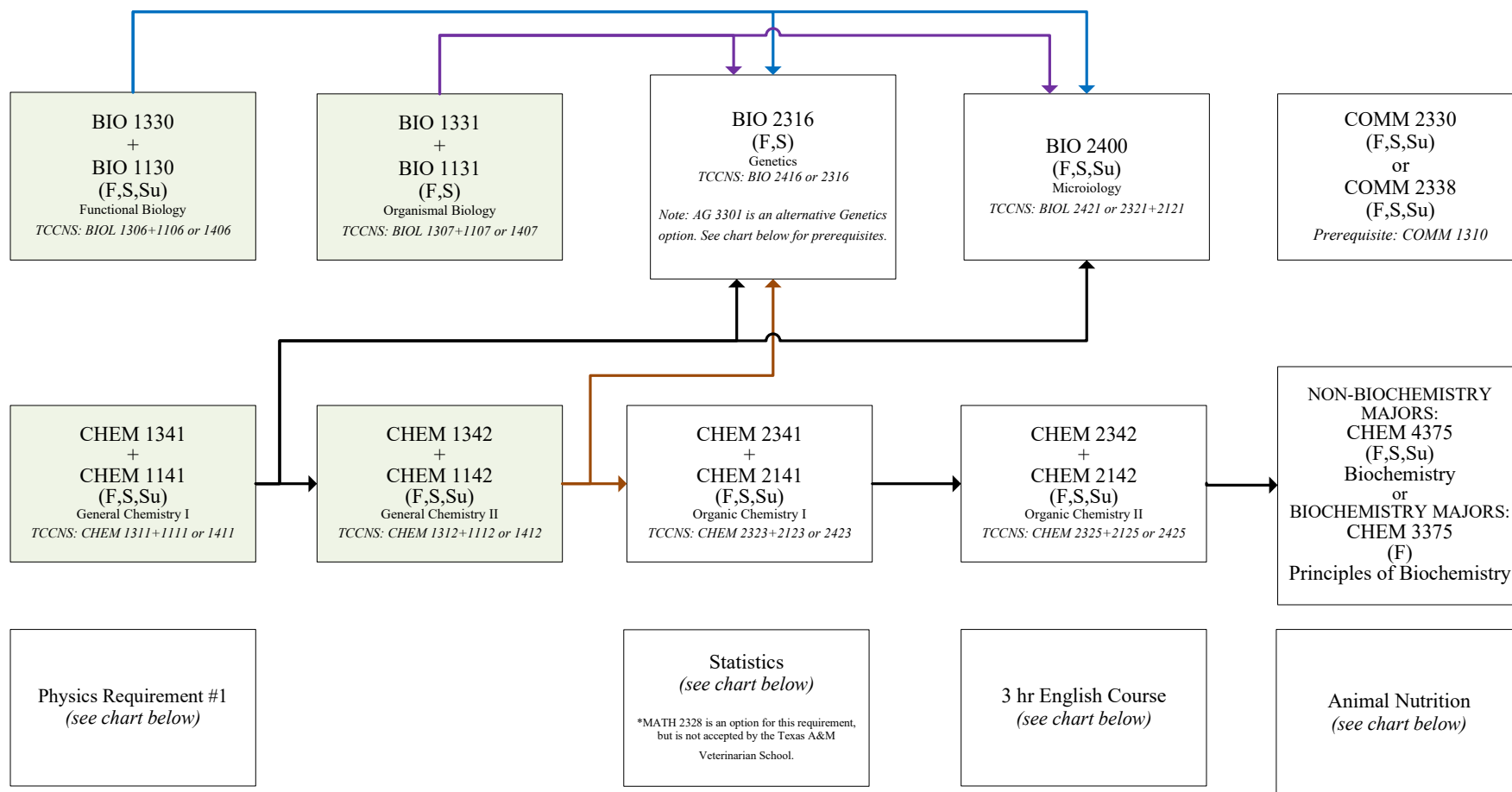


# Pre-Veterinary Studies

2026 Catalog



	Physics Requirement #1	Statistics	Genetics	Animal Nutrition	3 hr English Course
<i>Recommended for Chemistry, Biochemistry, Engineering, or Engineering Technology majors</i>	PHYS 2325 + PHYS 2125 (F,S) Mechanics <i>Corequisite: MATH 2471 with a grade of "C" or better.</i>	MATH 3305 (F,S,Su) Probability & Statistics <i>Prerequisite: MATH 2472 with C or better.</i>	BIO 2316 (F,S) Genetics <i>Prerequisites: BIO 1330/1130, BIO 1331/1131, CHEM 1341/1141, CHEM 1342/1142 with Cs or better.</i>	AG 3325 (F,S,Su) Animal Nutrition <i>Prerequisite: AG 1301 and BIO 1330 and CHEM 1341 all with grades of "C" or better.</i>	ENG 1310 ENG 1320 ENG 1321 ENG 1310 ENG 2320 ENG 2330 ENG 2340 ENG 2359 ENG 2360 ENG 2371 ENG 3303 ENG 3313 HON 2301A
<i>Recommended for Biology and Microbiology majors</i>	PHYS 1335 + PHYS 1115 (F,S,Su) Gen Physics for Life Sciences I <i>(Check Prerequisites)</i>	AG 3352 (F,S,Su) Quantitative Methods in Agricultural Economics <i>Prerequisites: MATH 1315 or MATH 1319 or MATH 2321 or MATH 2417 or MATH 2471 with C or better.</i>	BIO 2316 (F,S) Genetics <i>Prerequisites: BIO 1330/1130, BIO 1331/1131, CHEM 1341/1141, CHEM 1342/1142 with Cs or better.</i>	or AG 4325 (F,S,Su) Feeds and Feedings <i>Prerequisites: AG 3325 with a grade of "C" or better.</i>	
<i>Recommended for Animal Science majors</i>	PHYS 1315 + PHYS 1115 (F,S,Su) General Physics I <i>(Check Prerequisites)</i>	AG 3352 (F,S,Su) Quantitative Methods in Agricultural Economics <i>Prerequisites: MATH 1315 or MATH 1319 or MATH 2321 or MATH 2417 or MATH 2471 with C or better.</i>	AG 3301 (F,S) Principles of Livestock Genetics <i>Prerequisites: AG 2318 and BIO 1330/1130 with Cs or better.</i>		